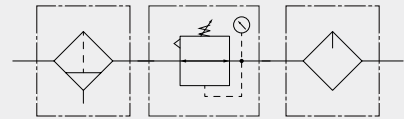


COMBINATION UNIT FILTER + REGULATOR + LUBRICATOR KAU201~601



Standard



FEATURES

- Easy to reach release for easy maintenance

SPECIFICATIONS

	UNIT	KAU201	KAU301	KAU401	KAU601
Pneumatic Connection	Rc(PT), G, NPT	1/8", 1/4"	1/4", 3/8"	3/8", 1/2"	3/4", 1"
Fluid		Compressed Air			
Ambient & Fluid Temperature	°C	-5 ~ 60			
Proof Pressure	MPa	1.5			
Max. Operating Pressure	MPa	1.0			
Filtration Grade	μm	5 / 20 / 40			
Drain		Manual Drain / Auto Drain(N.O)			
Regulating Range	MPa	0.05 ~ 0.85 / 0.02 ~ 0.2 / 0.02 ~ 0.4			
Structure		Relief / None-Relief			
Gauge Type		Integral Gauge, Round Gauge			
Round Gauge Connection	Rc(PT)	1/8"		1/4"	
Recommended Lubricant		Class 1 Turbine Oil (ISO VG32)			
Bowl Materials		Polycarbonate / Metal / Transparent Nylon			
Mounting Type		In-line Installation, via Mounting Bracket			
Mounting Position		Vertical ±5°			
Weight	g	555	1,170	1,875	-

KAU201~601 Series

Air Service Unit | Combination Unit (Filter + Regulator + Lubricator) | 1/8", 1/4", 3/8", 1/2", 1"

HOW TO ORDER



KAU201 > MODEL (Filter + Regulator + Lubricator)
 KAU201 : 1/8", 1/4"
 KAU301 : 1/4", 3/8"
 KAU401 : 3/8", 1/2"
 KAU601 : 3/4", 1"

- > THREAD TYPE
 - : Rc(PT) (Standard)
 G : G
 N : NPT

02 > PORT SIZE
 KAU201
 01 : 1/8"
 02 : 1/4"
 KAU301
 02 : 1/4"
 03 : 3/8"
 KAU401
 03 : 3/8"
 04 : 1/2"
 KAU601
 06 : 3/4"
 10 : 1"

> FILTRATION GRADE
 - : 5 μm (Standard)
 2 : 20 μm
 4 : 40 μm

> DRAIN
 - : Manual Drain (Standard)
 D : Auto Drain (N.O) *1

G > Gauge
 G : Integral Gauge (1.0 MPa, Standard)
 H : Without Gauge, Included Port Block
 T : Round Gauge (1.0 / 0.4 / 0.2 MPa)

> BOWL MATERIALS
 - : Polycarbonate (Standard)
 M : Metal
 L : Transparent Nylon

- > REGULATING RANGE
 - : 0.05 ~ 0.85 MPa (Standard)
 2 : 0.02 ~ 0.2 MPa
 4 : 0.02 ~ 0.4 MPa

> RELIEF
 - : Relief Type
 N : None-Relief Type

- > OPTION
 - : None (Standard)
 P : Pressure Switch
 R : Pneumatic Pressure Direction (R >> L)
 U : Digital Pressure Gauge with Port Block
 V : 3 port Pressure Relief Valve
 W : Top Position of Regulating Handle

DETAILS

*1. Auto Drain Type - KAU201 : Different Pressure Type
 - KAU301, 401 : Float Type

AIR
SERVICE
UNIT

KAF201
~601

KAFM/KAFU
201~401

KAR201
~601

KAR231

KAU201
~601

KAU201
~601

KAU201A
~601A

KAU201B
~601B

KAW201
~601

KAW231

KSPM

KSPE

PRESSURE
GAUGE

BRACKET

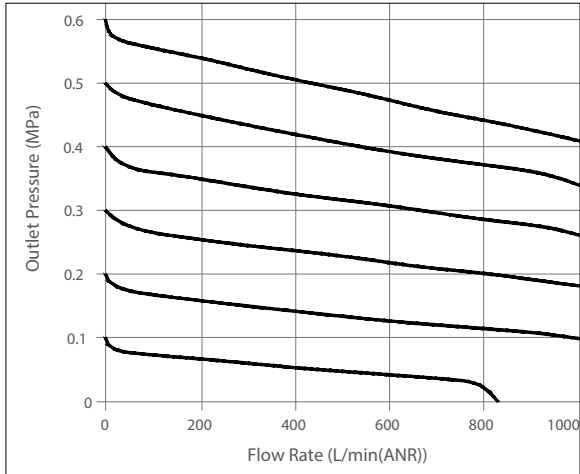
KAU201~601 Series

Air Service Unit | Combination Unit (Filter + Regulator + Lubricator) | 1/8", 1/4", 3/8", 1/2", 1"

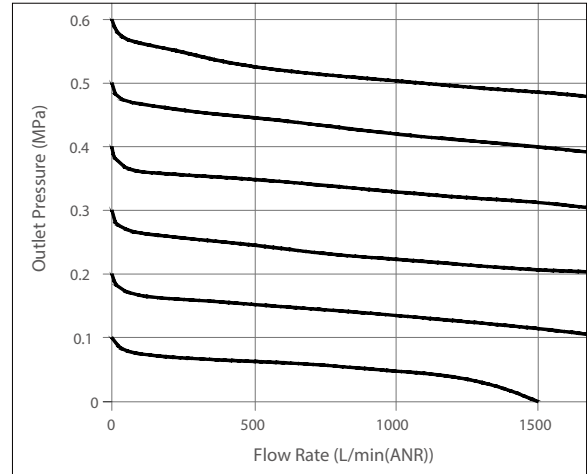
FLOW RATE

Inlet Pressure = 0.7 MPa

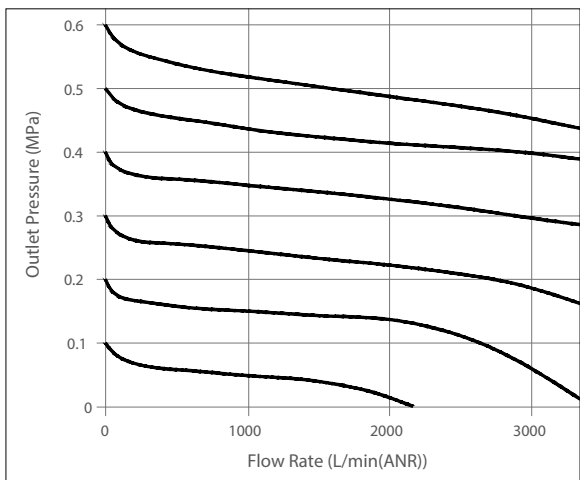
KAU201-02 (1/4")



KAU301-03 (3/8")



KAU401-04 (1/2")



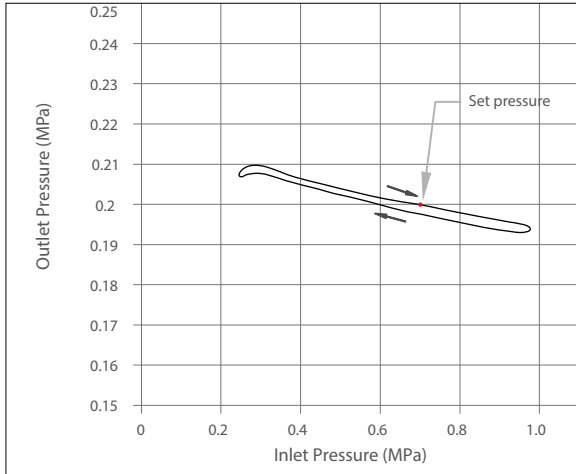
KAU201~601 Series

Air Service Unit | Combination Unit (Filter + Regulator + Lubricator) | 1/8", 1/4", 3/8", 1/2", 1"

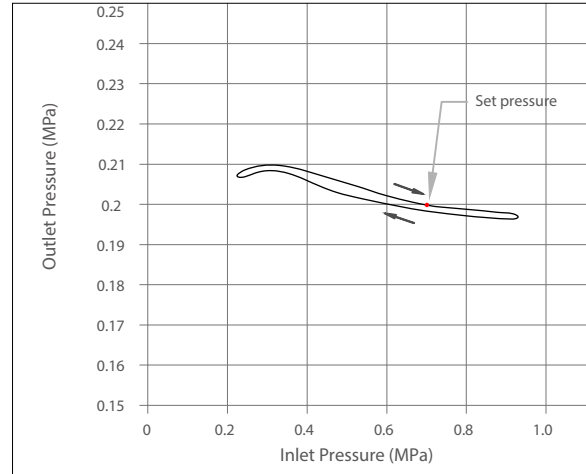
PRESSURE CHARACTERISTIC

Inlet Pressure = 0.7 MPa, Set Pressure = 0.2 MPa, Flow Rate = 20 L/min(ANR)

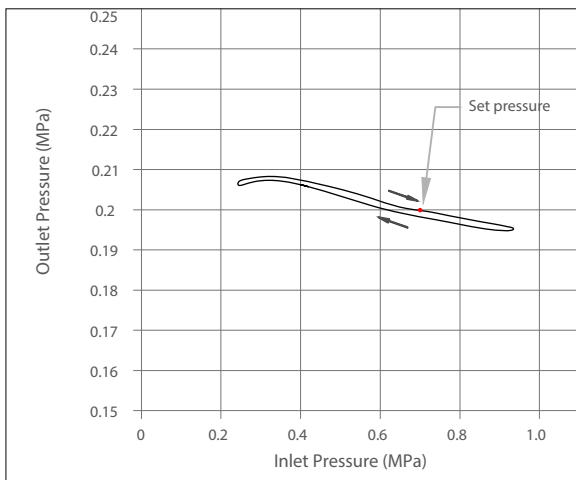
KAU201-02 (1/4")



KAU301-03 (3/8")



KAU401-04 (1/2")



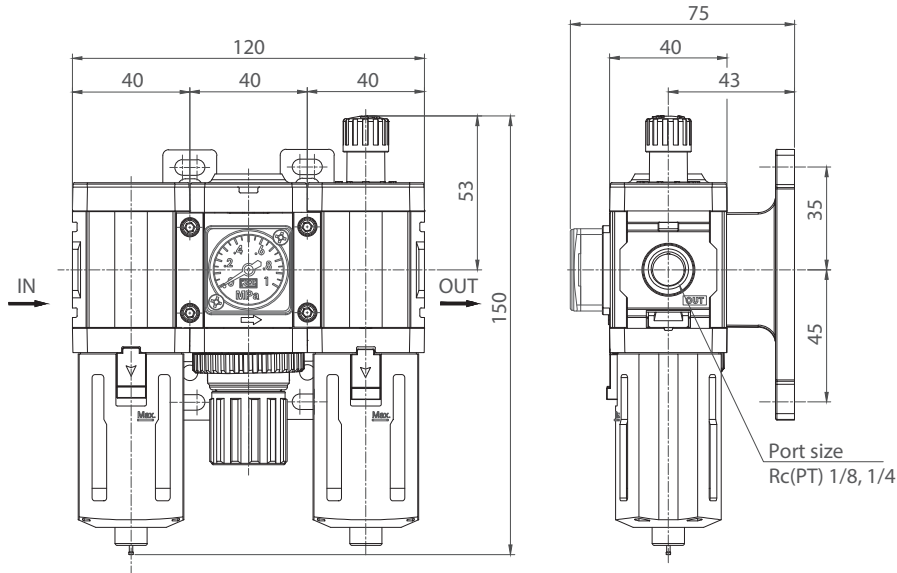
- AIR SERVICE UNIT
- KAU201~601
- KAFM/KAFU 201~401
- KAR201~601
- KAR231
- KAL201~601
- KAU201~601
- KAU201A~601A
- KAU201B~601B
- KAW201~601
- KAW231
- KSPM
- KSPE
- PRESSURE GAUGE
- BRACKET

KAU201~601 Series

Air Service Unit | Combination Unit (Filter + Regulator + Lubricator) | 1/8", 1/4", 3/8", 1/2", 1"

DIMENSIONS

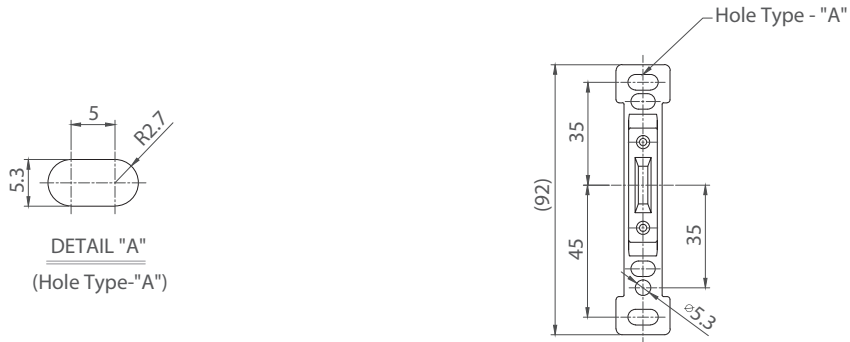
KAU201 (Filter + Regulator + Lubricator, PC Bowl)



AIR SERVICE UNIT

- ~601
- KAF201 ~601
- KAFM/KAFU 201~401
- KAR201 ~601
- KAR231
- KAL201 ~601
- KAU201 ~601
- KAU201A ~601A
- KAU201B ~601B
- KAW201 ~601
- KAW231
- KSPM
- KSPE
- PRESSURE GAUGE
- BRACKET

Bracket T (Model : BT201)



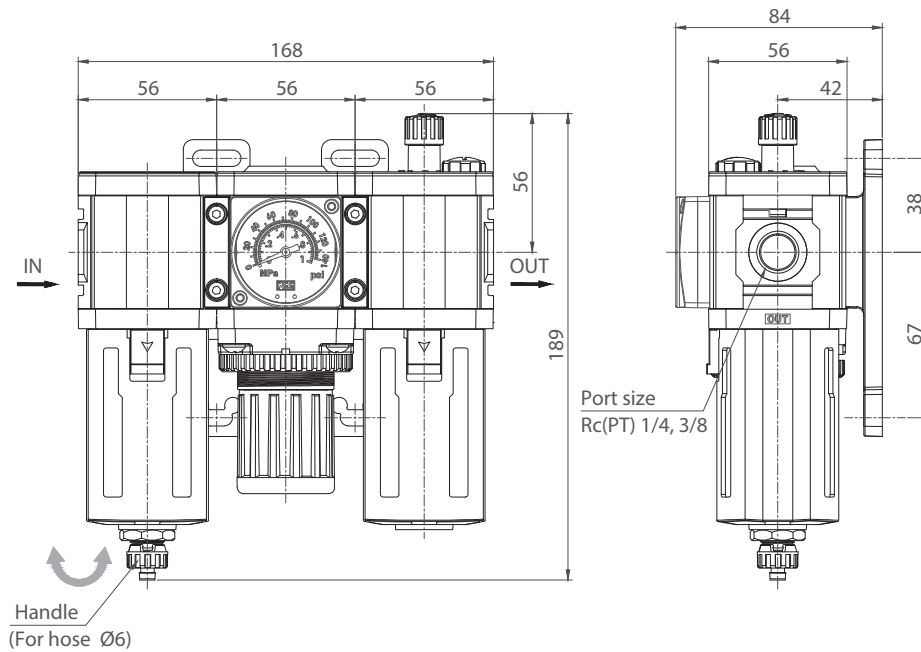
T-Bracket Mounting Hole Dimensions

KAU201~601 Series

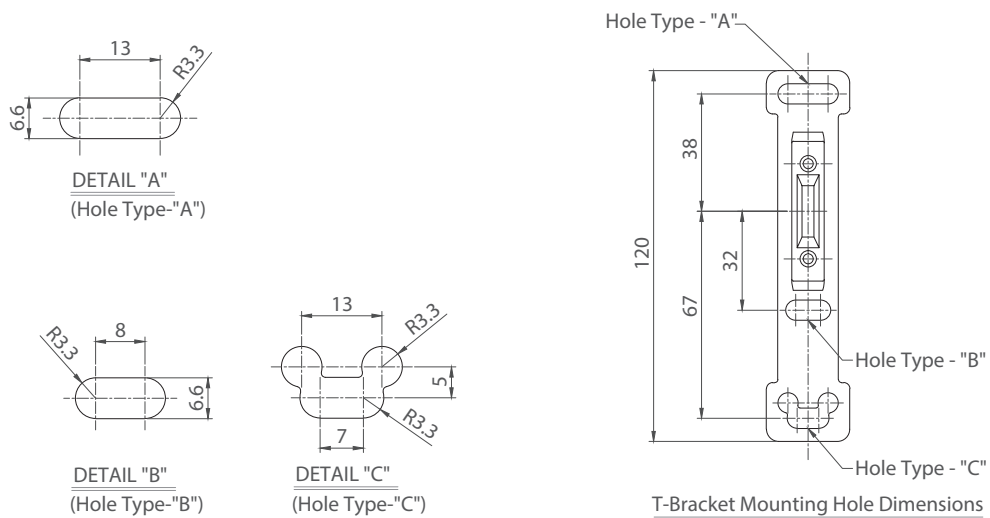
Air Service Unit | Combination Unit (Filter + Regulator + Lubricator) | 1/8", 1/4", 3/8", 1/2", 1"

DIMENSIONS

KAU301 (Filter + Regulator + Lubricator, PC Bowl)



Bracket T (Model : BT301)

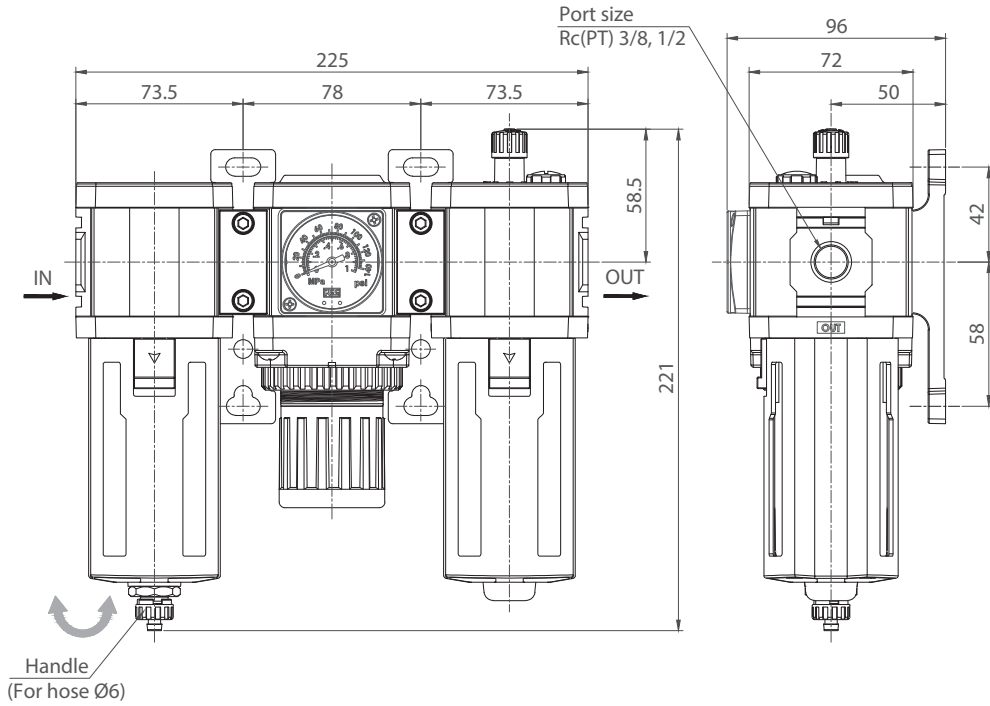


KAU201~601 Series

Air Service Unit | Combination Unit (Filter + Regulator + Lubricator) | 1/8", 1/4", 3/8", 1/2", 1"

DIMENSIONS

KAU401 (Filter + Regulator + Lubricator, PC Bowl)



- AIR SERVICE UNIT
- KAF201~601
- KAFM/KAFU 201~401
- KAR201~601
- KAR231
- KAL201~601
- KAU201~601
- KAU201A~601A
- KAU201B~601B
- KAW201~601
- KAW231
- KSPM
- KSPE
- PRESSURE GAUGE
- BRACKET

Bracket T (Model : BT401)

