

AIR SERVICE UNIT (COMBINATION) FILTER REGULATOR + LUBRICATOR KAU201A~601A



Standard

Check Valve

FEATURES

- Easy to reach release for easy maintenance

SPECIFICATIONS

	UNIT	KAU201A	KAU301A	KAU401A	KAU601A
Pneumatic Connection	Rc(PT), G, NPT	1/8", 1/4"	1/4", 3/8"	3/8", 1/2"	3/4", 1"
Fluid		Compressed Air			
Ambient & Fluid Temperature	°C	-5 ~ 60			
Proof Pressure	MPa	1.5			
Max. Operating Pressure	MPa	1.0			
Filtration Grade	μm	5 / 20 / 40			
Drain		Manual Drain / Auto Drain(N.O)			
Regulating Range	MPa	0.05 ~ 0.85 / 0.02 ~ 0.2 / 0.02 ~ 0.4			
Structure		Relief / None-Relief			
Gauge Type		Integral Gauge, Round Gauge			
Round Gauge Connection	Rc(PT)	1/8"		1/4"	
Recommended Lubricant		Class 1 Turbine Oil (ISO VG32)			
Bowl Materials		Polycarbonate / Metal / Transparent Nylon			
Mounting Type		In-line Installation, via Mounting Bracket			
Mounting Position		Vertical ±5°			
Weight	g	555	1,170	1,875	-

KAU201A~601A Series

Air Service Unit (Combination) | Filter Regulator + Lubricator | 1/8", 1/4", 3/8", 1/2", 1"

HOW TO ORDER



KAU201A > MODEL (Filter Regulator + Lubricator, Combination)

- KAU201A : 1/8", 1/4"
- KAU301A : 1/4", 3/8"
- KAU401A : 3/8", 1/2"
- KAU601A : 3/4", 1"

[] > THREAD TYPE

- : Rc(PT) (Standard)
- G : G
- N : NPT

02 > PORT SIZE

- KAU201A
- 01 : 1/8"
 - 02 : 1/4"

- KAU301A
- 02 : 1/4"
 - 03 : 3/8"

- KAU401A
- 03 : 3/8"
 - 04 : 1/2"

- KAU601A
- 06 : 3/4"
 - 10 : 1"

[] > FILTRATION GRADE

- : 5 μm (Standard)
- 2 : 20 μm
- 4 : 40 μm

[] > DRAIN

- : Manual Drain (Standard)
- D : Auto Drain (N.O) *1

G > Gauge

- G : Integral Gauge *2 (1.0 MPa, Standard)
- H : Without Gauge, Included Port Block
- T : Round Gauge (1.0 / 0.4 / 0.2 MPa)

[] > BOWL MATERIALS

- : Polycarbonate (Standard)
- M : Metal
- L : Transparent Nylon

[] > REGULATING RANGE

- : 0.05 ~ 0.85 MPa (Standard)
- 2 : 0.02 ~ 0.2 MPa
- 4 : 0.02 ~ 0.4 MPa

[] > RELIEF

- : Relief Type
- N : None-Relief Type

[] > OPTION

- : None (Standard)
- P : Pressure Switch
- R : Pneumatic Pressure Direction (R >> L)
- U : Digital Pressure Gauge with Port Block
- V : 3 port Pressure Relief Valve
- W : Top Position of Regulating Handle

DETAILS

*1. Auto Drain Type - KAU201A : Different Pressure Type
- KAU301A, 401A : Float Type

*2. KAU201A integral gauge type indicate MPa unit only.

AIR
SERVICE
UNIT

KAF201
~601

KAFM/KAFU
201~401

KAR201
~601

KAR231

KAL201
~601

KAU201
~601

KAU201A
~601A

KAU201B
~601B

KAW201
~601

KAW231

KSPM

KSPE

PRESSURE
GAUGE

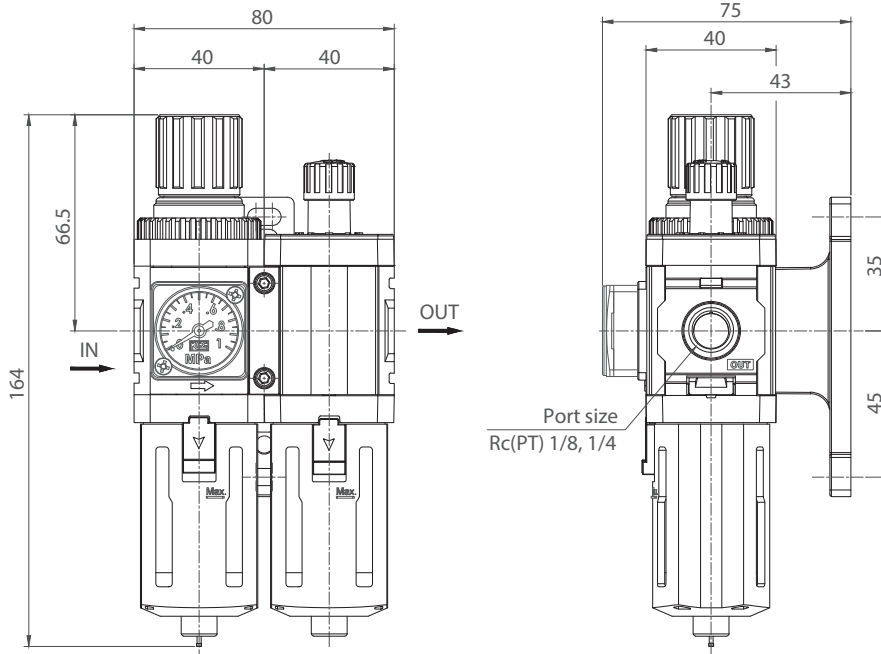
BRACKET

KAU201A~601A Series

Air Service Unit (Combination) | Filter Regulator + Lubricator | 1/8", 1/4", 3/8", 1/2", 1"

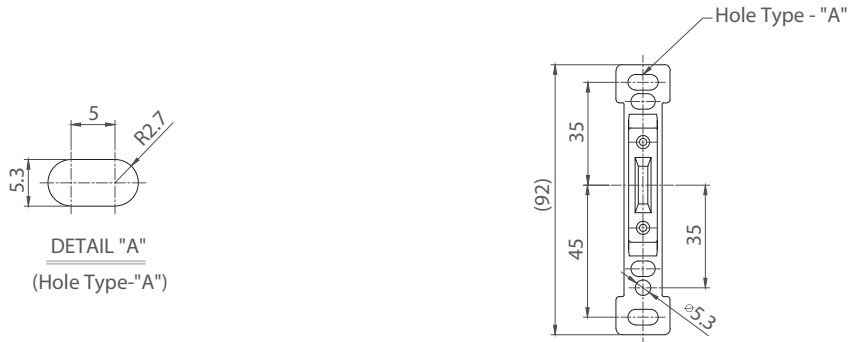
DIMENSIONS

KAU201A (Filter Regulator + Lubricator, PC Bowl)



AIR SERVICE UNIT
KAF201~601
KAFM/KAFU 201~401
KAR201~601
KAR231
KAL201~601
KAU201~601
KAU201A~601A
KAU201B~601B
KAW201~601
KAW231
KSPM
KSPE
PRESSURE GAUGE
BRACKET

Bracket T (Model : BT201)



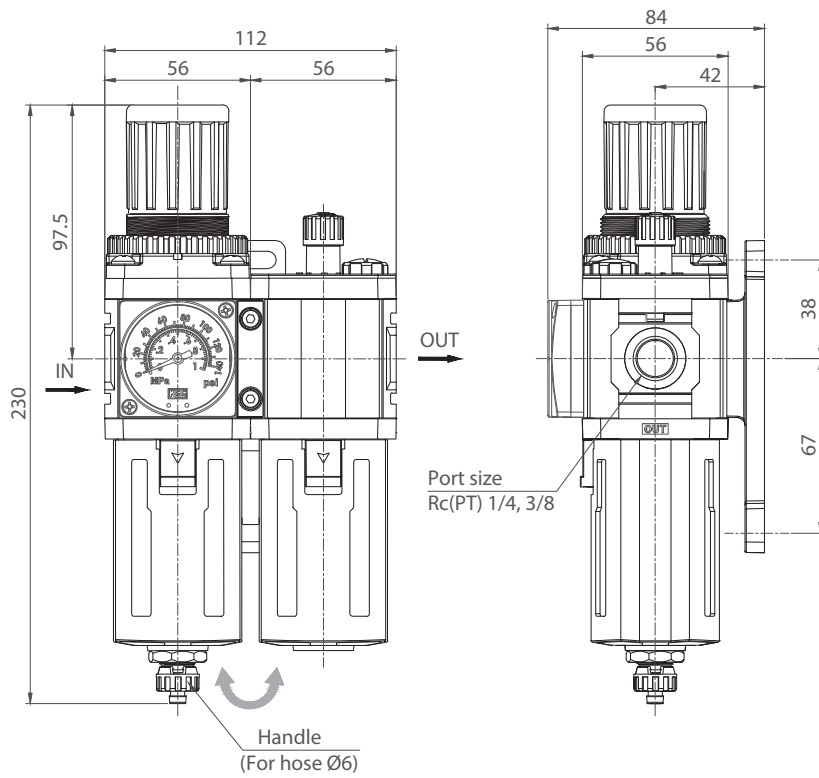
T-Bracket Mounting Hole Dimensions

KAU201A~601A Series

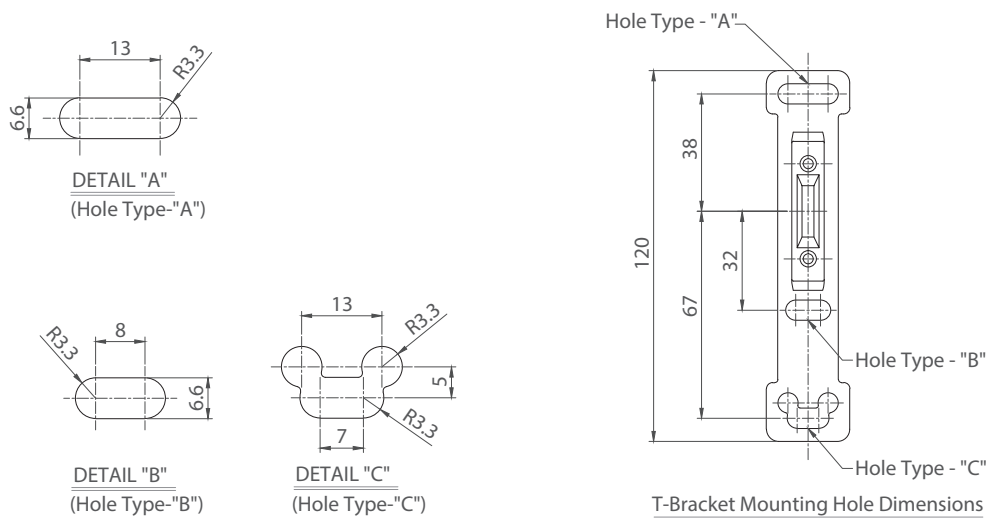
Air Service Unit (Combination) | Filter Regulator + Lubricator | 1/8", 1/4", 3/8", 1/2", 1"

DIMENSIONS

KAU301A (Filter Regulator + Lubricator, PC Bowl)



Bracket T (Model : BT301)

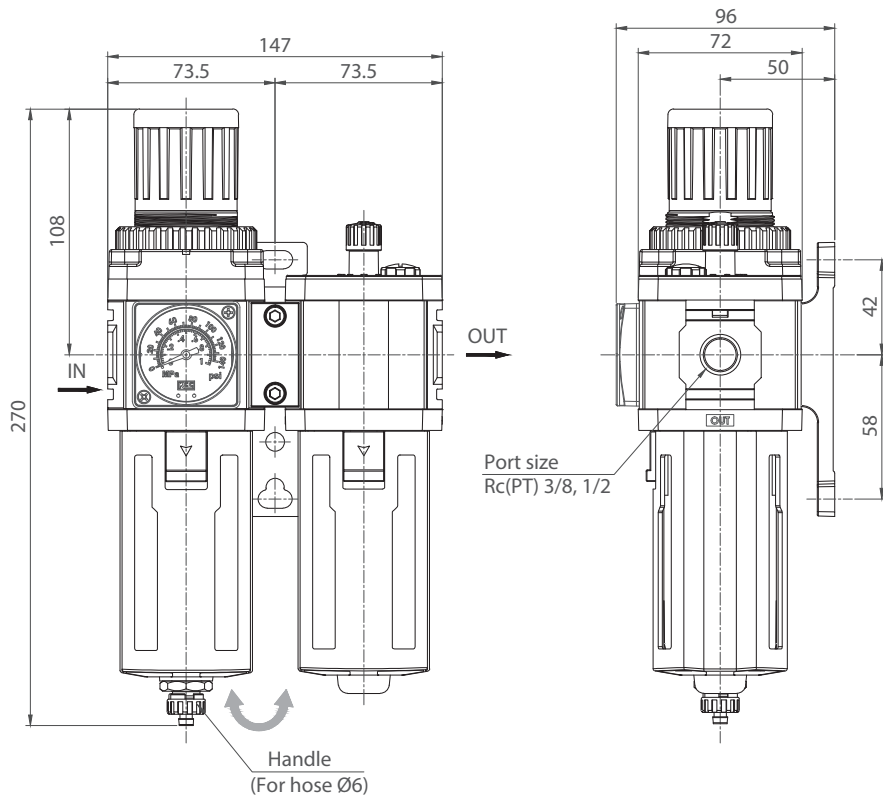


KAU201A~601A Series

Air Service Unit (Combination) | Filter Regulator + Lubricator | 1/8", 1/4", 3/8", 1/2", 1"

DIMENSIONS

KAU401A (Filter Regulator + Lubricator, PC Bowl)



AIR SERVICE UNIT

- KAF201 ~601
- KAFM/KAFU 201~401
- KAR201 ~601
- KAR231
- KAL201 ~601
- KAU201 ~601
- KAU201A ~601A**
- KAU201B ~601B
- KAW201 ~601
- KAW231
- KSPM
- KSPE
- PRESSURE GAUGE
- BRACKET

Bracket T (Model : BT401)

